



MODEL : RIDER

User Manual - English

Table of contents

Introduction

PUNK Rider

Features of PUNK Rider

Overview

Technical Specifications

Safety Instructions and Warnings

Warnings

Battery

Loading

Storage

How to Set up PUNK Rider

Description of folding mechanism

How to fold and unfold

Dashboard Control Description

Maintenance

Safety and Warnings

Dashboard

Description of pictograms

Error Codes

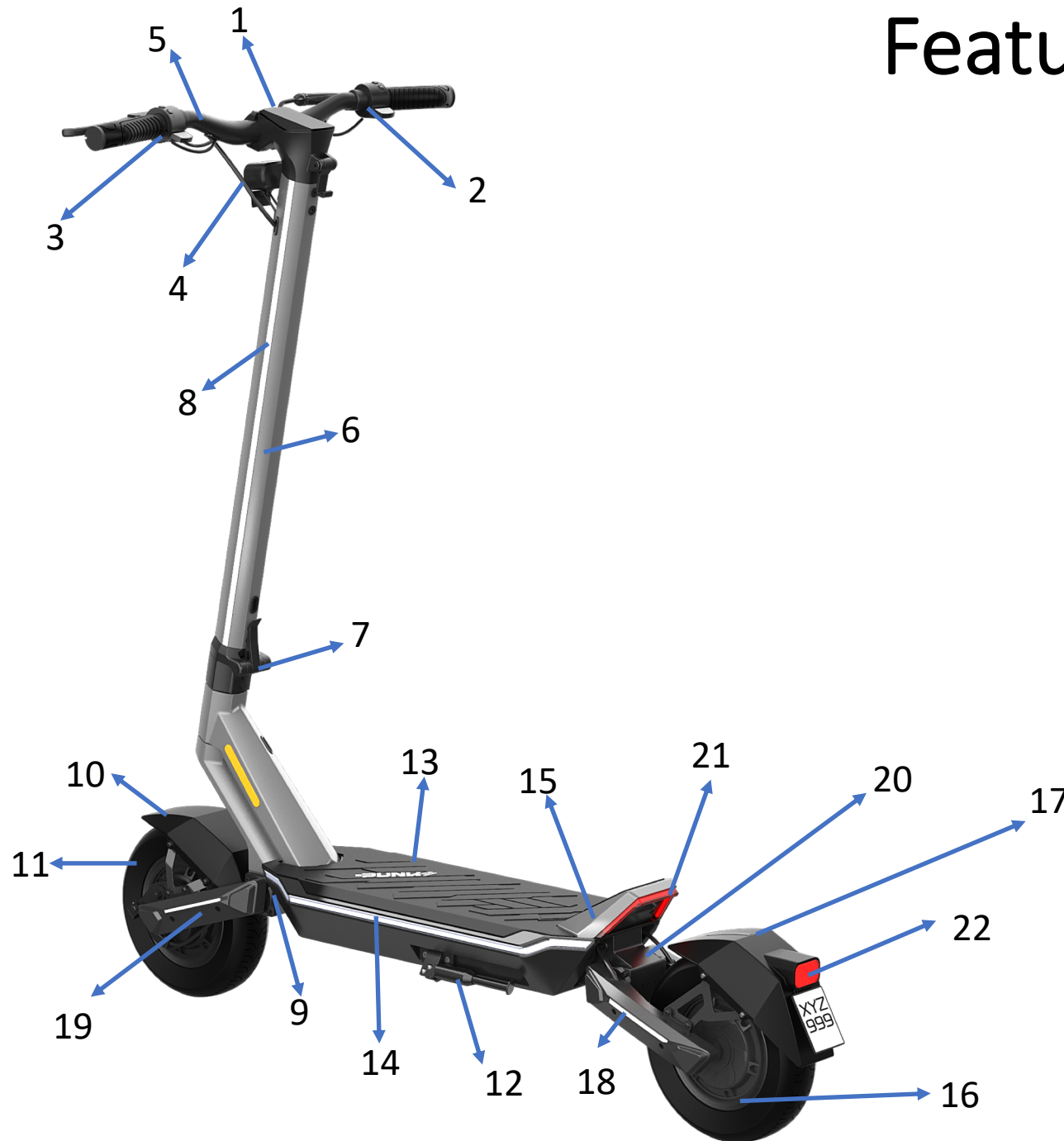
Application

Additional information

PUNK Rider



Features of PUNK Rider

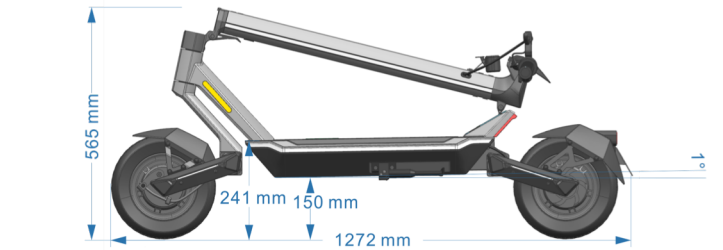
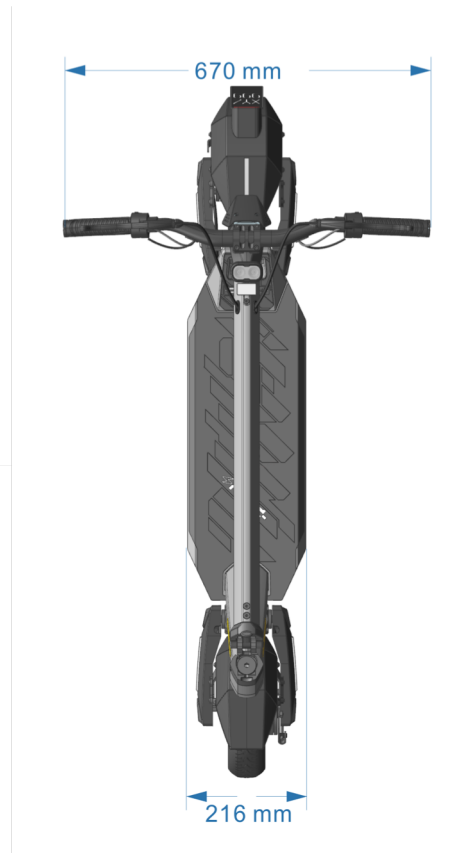
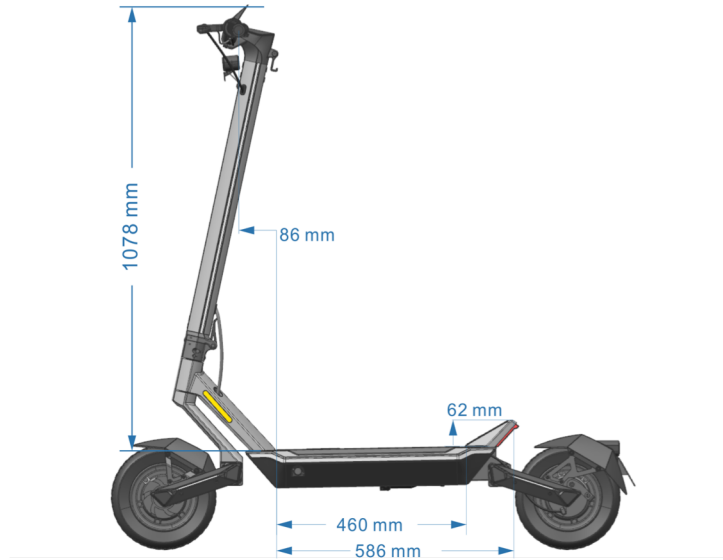


Overview:

1. Display Dashboard
2. Accelerator
3. Electromagnetic brake
4. Headlight / Horn
5. Handlebar
6. Stem / Steering column
7. Locking system / Folding Mechanism
8. Stem light / Signal Light
9. Front Suspension
10. Front Fender
11. Front Wheel / Motor (for dual)
12. Kickstand
13. Scooter Deck/ Platform
14. Side Deck light / Signal Light
15. Foot Rest
16. Rear Motor / Rear Wheel
17. Rear fender
18. Rear Fork
19. Front Fork
20. Rear Suspension
21. Rear safety light
22. Rear fender light

Features of PUNK Rider

Overview



Main Dimensions

Overall size:
1272 x 1320 x 670 mm
(50 x 52 x 26 inch)

Handlebar to deck:
1078 mm (42 inch)

Deck size:
460 x 220 mm
(18 x 9 inch)

Ground Clearance:
150 mm (6 inch)

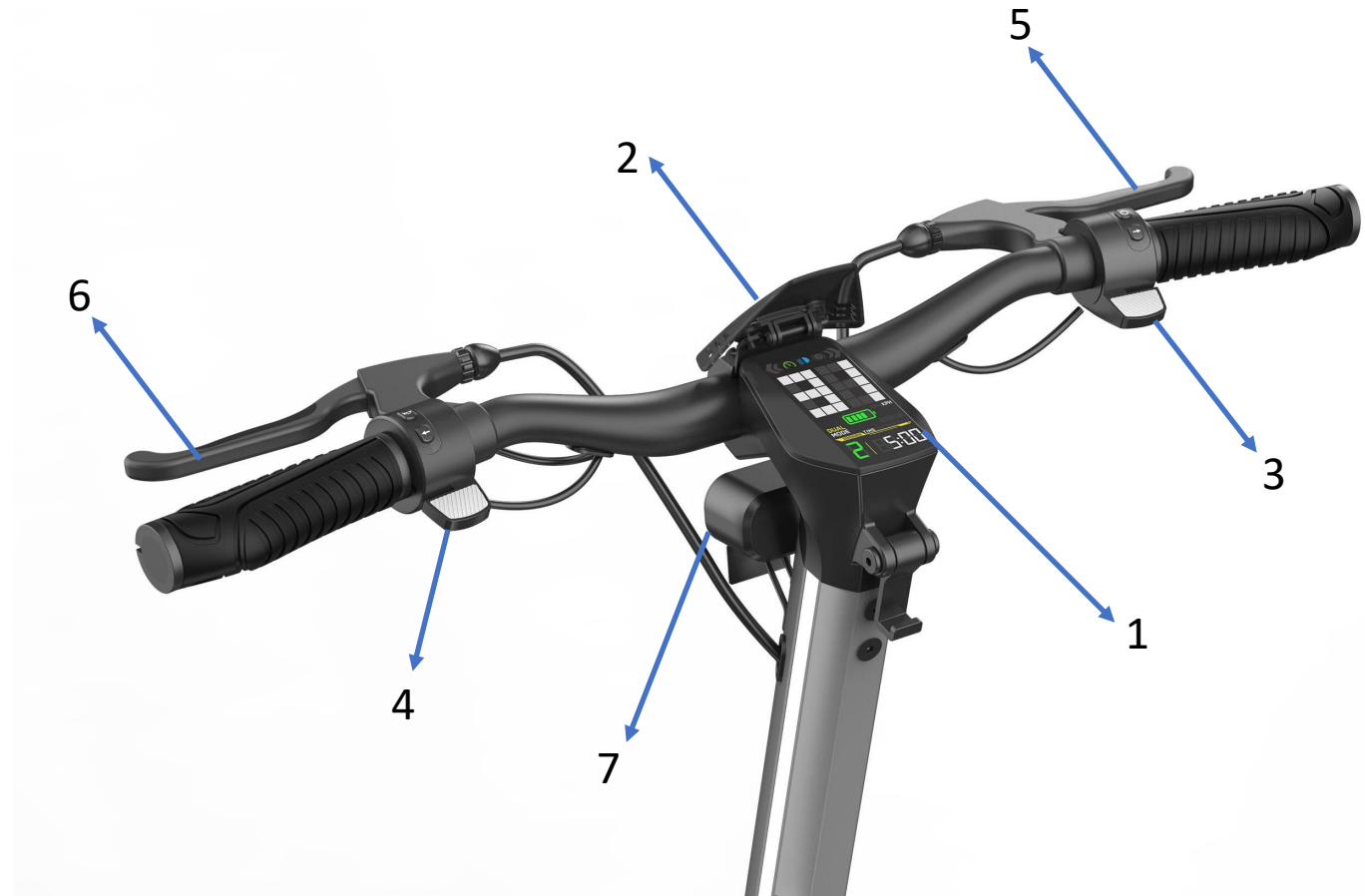
Folding Size
1272 x 220 x 565 mm
(50 x 9 x 22 inch)

Package Size
1320 x 270 x 580 mm
(52 x 11 x 23 inch)



Features of PUNK Rider

- 1 - Dashboard
- 2 - Sun Shade
- 3 - Accelerator / Throttle
- 4 - Regen brake
- 5 - Front brake lever
- 6 - Rear brake lever
- 7 - Headlight



Features of PUNK Rider

Technical Specifications:

Battery Options

48v13.5ah/ 48v18ah - Single
52v18ah - Twin
All with 21700 Cell

Weight (KG)

25-32kg (66-77 lb)

Max Speed (KM/H)

37-50 (23-30 MPH)

Motor

600w (Single) Peak at 1200w
1200w (Twin) Peak at 2080w

Controller

25A (Single) Sine Wave
40A (Twin) Sine Wave

Brake

Front and Rear drum brake
Electromagnetic throttle brake

Suspension

Front and Rear Rubber
Suspension cartridge system

Display Dashboard

Smart Display with riding mode
settings

Light and Horn

70 LUX headlight with horn /
Side deck lights / Stem lights /
Signal lights / Safety Lights

Folding System

Dual locking system

Tire

Self-healing tires/
10 inch tubeless tires
(10 x 2.70 inch)

Charging port

3 pins

Charger

Standard 2A

IP rating

IPX 6

Safety Instructions and Warnings

Safety Precautions Prior to Riding:

- Always wear a helmet and other body protection. Ride safely.
- Get to know your scooter and practice riding before you hit the road. It is recommended to select driving mode that suits you.
- Be prepared to slow down by placing hand in ready position for brake in order to deal with sudden situations.
- Consider going slow before making a turn. Signal light available.
- Be sure to slow down in unfamiliar road or poor road conditions.
- Be sure to always have both hands on the handlebar while riding.
- Be sure to pay attention to road conditions and traffic conditions.
- Do not ride the scooter with the kickstand down.
- Beware of the heat produce by motors and brake system during and after use.
- Never drive under the influence of drugs and alcohol. Stay in control of your action and reaction on the road.
- Always obey the laws and regulations of the country in which you are riding.
- You are fully responsible for any physical and material injuries in the event of an accident.

Safety Advices:

As with any mechanical component, an electric scooter is subjected to high stress and wear. Various materials and components can react to wear and fatigue differently. If you exceed the expected service life of a component, it can be a risk for injury to the user. Cracks, scratches and discolorations in high stress area indicates that the component has exceeded service life and must be replaced. Keep small parts and plastic protection out of reach of children to avoid any risk of choking and suffocation. Avoid high traffic areas or congested areas; in all cases, anticipate its trajectory and speed while respecting the road regulations and the pedestrian code; in all cases, pay attention to yourself and others; do not divert the scooter from its original use; this scooter is not intended for acrobatic use; Regularly check the tightening of the various bolted elements, in particular the wheel axles, the folding system, the steering system and the brake system; do not modify the vehicle, including the steerer tube and sleeve, stem, folding mechanism and brakes.

Safety Instructions and Warnings

BATTERY SAFETY

- Never repair the battery pack by yourself. In the event of an anomaly, contact your seller.
- Do not use the battery pack on any other product.
- Avoid shocks.
- Protect your battery pack from any external sharps to prevent from possible piercing.
- Avoid contact with liquid and liquid components.
- If the battery leaks and you have come in contact with the liquid, immediately clean your hands with soap and water. Get medical attention in the event of injuries.
- Never change the battery pack at a temperature below 0 degrees or higher than 40 degrees; this could affect / damage its performance.
- Use ONLY original / recommended charger.
- Allow battery to cool before charging.
- Never leave scooter or battery to charge unattended.
- Disconnect the charging cable when the battery is fully charged.
- Do not leave the scooter / battery pack in the sun or near high temperature.
- Do not leave scooter / battery pack in the car under the sun or near high temperature.
- The battery pack must never come in contact with hot surface or parts.
- Do not charge a scooter with a wet / damp charging port.
- Do not charge a scooter with damaged charging port.
- Do not insert your finger or any sharp object into the charging port.
- Always follow the applicable regulations when transporting your scooter. Please note that scooter with lithium-ion battery is considered as hazardous material.

Safety Instructions and Warnings

Charging / Loading

- Ensure to use ONLY recommended charger (2A-5A).
- Allow the battery to cool before charging.
- Switch off the scooter before charging it.
- Make sure the charger is connected to a power outlet before plugging into the charging port.
- Make sure the charger and charging port are properly connected.

**The Charger LED is red when charging. It turns green when the battery is fully charged

Storage

- Scooter should always be stored away from moisture and direct heat/ sunlight.
- Be sure to regularly charge your scooter even if you are not using it.
- Avoid storing away your scooter with a flat battery.

How to Set up PUNK Rider

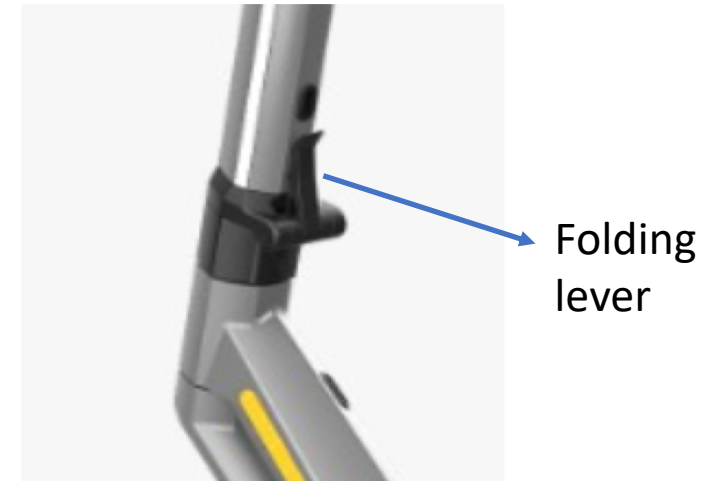
Folding mechanism

How to fold and unfold PUNK Rider



TO FOLD THE SCOOTER:

1. Press the safety lock on folding lever and pull the folding lever
2. Push on the safety lock on the stem
3. Fold your scooter stem



TO UNFOLD THE SCOOTER:

1. Pull the stem of the scooter up
2. Lock the Folding lever

How to Set up PUNK Rider

Dashboard Controls Description



Thumb regen brake



Accelerator



Press and hold for 3 seconds to on/off the dashboard.
Double tap to switch Single / Twin motor mode.
Triple tap to switch : Time / ODO/ Trip/ Volt
Four tap to switch on all lights.
Five tap to switch kickstart / zero kickstart.
Six tap to switch cruise speed / non-cruise speed.



Press for horn.



Tab once to activate RIGHT signal light



Tab once to activate LEFT signal light

Tab both RIGHT and LEFT to activate and deactivate Hazard light

How to Set up PUNK Rider

Maintenance

1) Brakes

- Drum brake requires minimal maintenance.
- Adjust brake according to preference.

2) Tires

- Please check tire pressure regularly. Keep tires at 50 PSI.

3) Screws

- Every 500-1000km add-on in odometer: Please check if any screws are loose or damage. Tighten/change them if necessary.

4) Repairs

- Any repair must be carried out by a professional.

5) Cleaning

- Do not use alcohol, gasoline, kerosene, or other corrosive and volatile chemical cleaners
- Do not wash with water
- Make sure that scooter is switched off and unplugged from power source before cleaning .

SAFETY AND WARNINGS



- Please comply with traffic laws and regulation of the country which you are riding.
- Please comply with the speed limit regulation of the country which you are riding.
- Any modification to the scooter resulting in an increase speed or power is prohibited and will void your warranty.



- Do not make any modifications to the scooter or the spare part by yourself
- This creates a risk of accidents and malfunction of the scooter



- The age of riding an electric scooter varies by the country.
- Please comply with the age required by the legislation of the country.



- For your own safety and to scooter's longevity, it is not recommended to use the scooter in the rain.
- Punk Rider is water resistant.
- Do not immerse the scooter in water.



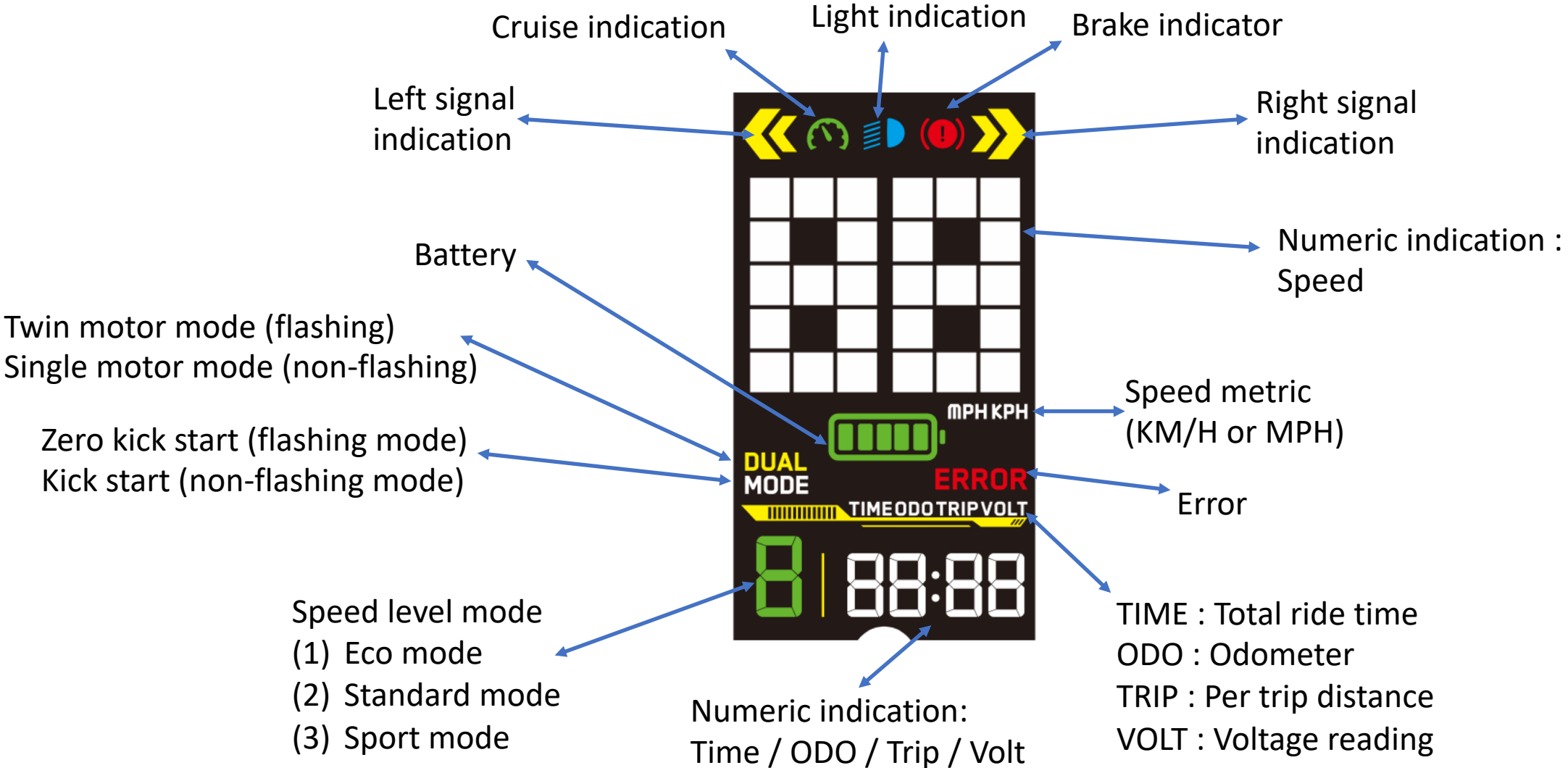
- Wear Full face helmet and other protective gear when riding.
- Wear proper shoes at all time .
- Consider wearing reflective gear while doing night rides



- Before use, check the condition of the scooter, such as wear of tires and brake pads as well as they are functioning properly.
- Remember to check that screws are tighten and folding system is securely locked.
- Do not do stunts. Ride Safe.

Display Dashboard

Description of pictograms



Error codes

Error 1

Faulty throttle sensor - Check the throttle connector and connecting cable or replace the throttle accelerator.

Error 2

Faulty throttle brake sensor - Check the brakes, brake connectors and connecting cables, or replace the brake lever or throttle brake.

Error 3

Abnormal Brake sensor parameters - Check whether the brake lever or throttle brake is water-intruded, oxidized and short-circuited. Please replace it with a new brake lever or throttle brake assembly.

Error 4

Abnormal accelerator component parameters - Check the throttle accelerator for water, oxidation and short circuit, if the throttle is damaged, please replace the accelerator with a new one

Display Dashboard

Error 5

Controller data upload timed out -

The repair sequence for this fault check is as follows; shut down, restart and observe whether the problem is eliminated. If the fault still exists, please check whether the communication cable between the display computer and the controller is in good contact. If the communication cable is well connected, please replace the controller and display in sequence until the fault is eliminated.

Error 11

Motor stall protection - This fault code is triggered by overloading the motor due to external resistance, simply reduce the load on the motor and the vehicle will resume operation. If the fault is not caused by external overload, please check whether the motor is stuck by foreign objects and whether the bearing is damaged. The fault phenomenon caused by the aging of the motor can be eliminated by replacing the motor.

Display Dashboard

Error codes

Error 12

Controller Overcurrent Protection - This is triggered by current overloads under extreme operating conditions, and operation can be resumed simply by shutting down and restarting the vehicle. If the fault is not eliminated after shutdown and restart, the fault can be eliminated in the following order:

1. Replace the controller with the same model.
2. Replace the motor with the same model.

Error 13

Communication between display and controller failed - The maintenance sequence of this fault inspection is as follows: Shut down and restart, and observe whether the problem is eliminated. If the fault still exists, please check whether the communication cable between the display computer and the controller is in good contact. If the communication cable is connected well, please replace the controller in turn. , display the computer components until the fault is eliminated.

Error 14

Controller overvoltage protection - Illegal modification of the battery will cause this failure or connected to a voltage exceeding the original settings. Please install and use the original battery to eliminate this failure.

Error 15

Battery low voltage protection - The battery voltage is lower than the critical value. Please use recommended charger to recharge the battery.

Error 16

Controller phase loss protection - Check whether the connection wire between the controller and the motor is broken and worn, and whether there is an oxidized virtual connection. If there is no abnormality in the wire, please troubleshoot in the following order:

1. Replace the original brand-new motor.
2. Replace the original brand-new controller until the fault is eliminated .

Error 17

Motor hall failure - Check whether the motor Hall connector is loose and oxidized, and whether the Hall cable is worn or broken. If there is no abnormality in the cable connector, please replace it with a new original motor.

Error 21

Controller op amp parameter abnormality - Restart the scooter to check whether the whole scooter is working normally. If the fault still persists, please replace the original controller to eliminate the fault.

Application

Setting up my App

1. Open the APP to register and log in to bind to your scooter unit. You can bind by scanning the QR code on the scooter / display or enabling your phone's Bluetooth search for your scooter.



2. APP main interface - You can enter into the management page (top right corner) to view the scooter information, add a family account, or unbind the scooter unit.

Additional Information

For any additional information or updates, please check out

WWW.PUNKELECTRIC.COM

